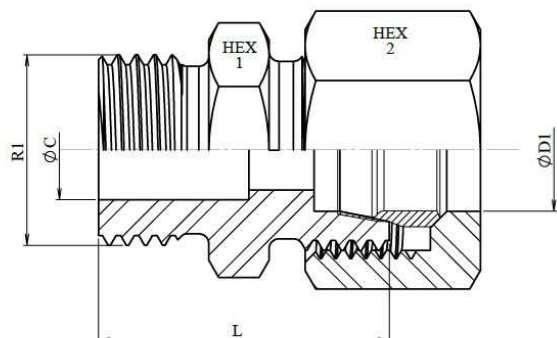
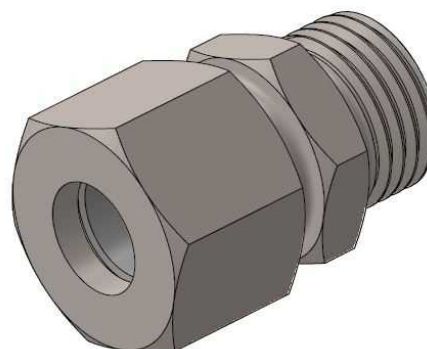


Racores DIN 2353

Uniones rectas tubo-rosca

Racor recto rosca UNF



Artículo	ØD1	Serie	R1	Presión trabajo (bar)	L	HEX 1	HEX 2	ØC
Z AL 8 7/16 UNF	8	L	7/16" UNF	315	25	14	17	6
Z AL 10 7/16 UNF	10	L	7/16" UNF	315	26	17	19	4
Z AL 12 3/4 UNF	12	L	3/4" UNF	315	28	22	22	10
Z AL 12 9/16 UNF	12	L	9/16" UNF	315	27	19	22	7,5
Z AL 15 3/4 UNF	15	L	3/4" UNF	315	29	24	27	12
Z AL 18 7/8 UNF	18	L	7/8" UNF	315	31,5	27	32	15
Z AL 22 1 1/16 UNF	22	L	1" 1/16 UNF	160	36	32	36	15,5
Z AL 28 1 5/16 UNF	28	L	1" 5/16 UNF	160	37,5	41	41	21,5
Z AL 35 1 5/8 UNF	35	L	1" 5/8 UNF	160	40	50	50	30
Z AS 8 7/16 UNF	8	S	7/16" UNF	630	27	17	19	4
Z AS 10 9/16 UNF	10	S	9/16" UNF	630	28	19	22	7,5
Z AS 12 9/16 UNF	12	S	9/16" UNF	630	31	22	24	8
Z AS 16 3/4 UNF	16	S	3/4" UNF	400	32	24	30	9,9
Z AS 20 7/8 UNF	20	S	7/8" UNF	400	40,5	32	36	15
Z AS 25 1 5/16 UNF	25	S	1" 5/16 UNF	400	47,5	41	46	21,5
Z AS 30 1 5/16 UNF	30	S	1" 5/16 UNF	400	17	41	50	21,5
Z AS 38 1 5/8 UNF	38	S	1" 5/8 UNF	315	54,5	55	60	32